

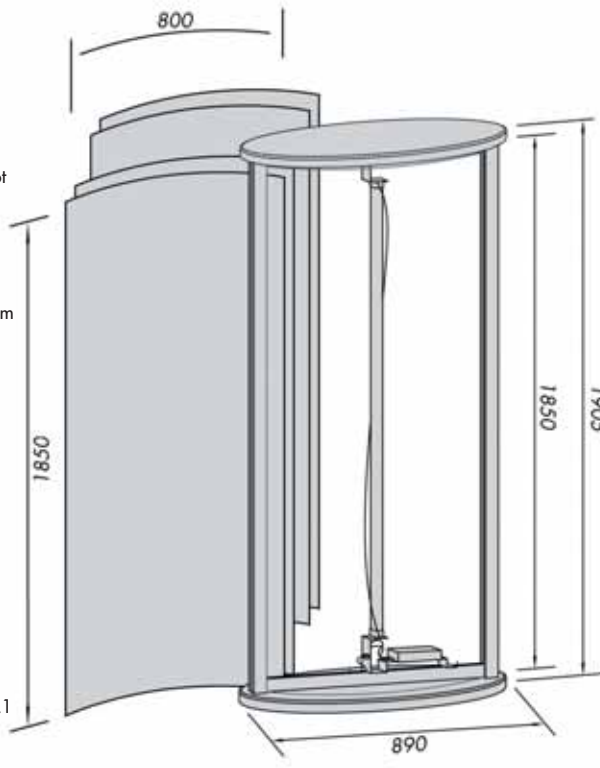


1 DISPLAY COLUMN

Illumination is handled by a foot pedal inside the column. The panels from hard foam are easy to be exchanged from the aluminum frame. Top and bottom cover hold the entire column sturdily and safely. Whatever is presented by the column it will be a great success and a big eyecatcher.

- Incl. illumination
- Material: Sturdy aluminum
- Frame: 32 mm aluminum
- Acrylic glass: 1,5 mm
- Foamed panel: 2 mm
- Dims: 1850 x 800 mm (boards)

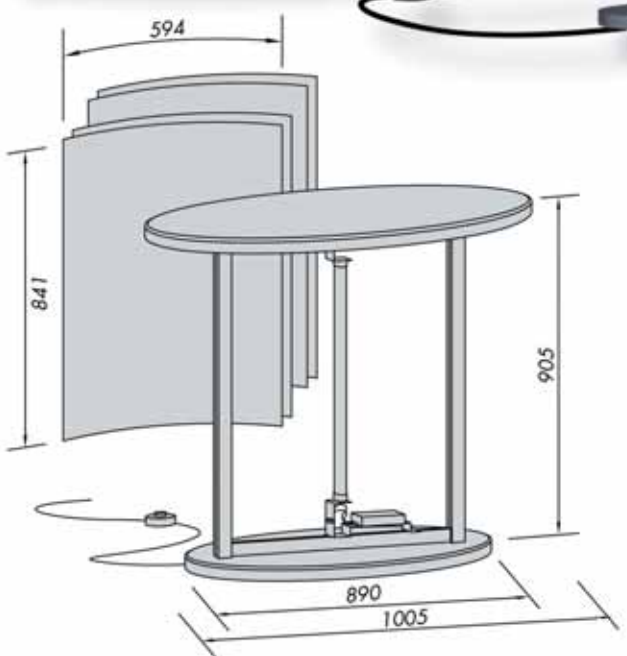
Art.No. 227.08.065.1



2 ILLUMINATED COUNTER

- Sturdy aluminum construction
- Base and upper boards from wood, silver
- Illumination: 18W/220V Neon-Light
- 4 pastic panels (2 transparent, 2 translucent)
- For A1 posters

Art.No. 227.08.034.1



SHOW-CASES and FLAT-CASES *softline*

- Optimum presentation
- For indoor and outdoor use
- Water- and dust-resistant
- Depth: 85 mm type S and 38 mm type F
- High-quality aluminum frame and anti-scratch glass-front.
- Background from plastic with colored blue (altern. white) surface.
- Glass opens at 180° to bottom at horizontal case and 180° to one side with vertical case.

SHOW-CASE S1 portrait format
A2, 800 x 543 x 85 mm Art.No. 730.13.010.1

SHOW-CASE S1 cross format
A2, 800 x 543 x 85 mm Art.No. 730.13.011.1

SHOW-CASE S2 portrait format
A1, 1025 x 800 x 85 mm Art.No. 730.13.012.1

SHOW-CASE S2 cross format
A1, 1025 x 800 x 85 mm Art.No. 730.13.013.1

SHOW-CASE S3 portrait format
A0, 1380 x 1025 x 85 mm Art.No. 730.13.014.1

SHOW-CASE S3 cross format
A0, 1380 x 1025 x 85 mm Art.No. 730.13.015.1

FLAT-CASE F1 portrait format
A2, 730 x 545 x 38 mm Art.No. 730.13.016.1

FLAT-CASE F1 cross format
A2, 730 x 545 x 38 mm Art.No. 730.13.017.1

FLAT-CASE F2 portrait format
A1, 1020 x 820 x 38 mm Art.No. 730.13.018.1

FLAT-CASE F2 cross format
A1, 1020 x 820 x 38 mm Art.No. 730.13.019.1

FLAT-CASE F3 portrait format
A0, 1320 x 1020 x 38 mm Art.No. 730.13.020.1

FLAT-CASE F3 cross format
A0, 1320 x 1020 x 38 mm Art.No. 730.13.021.1

SPECIAL DIMENSIONS AND SIZES UPON REQUEST



Accessory:

Text blade blank for all displays F and S Art.No. 773.08.001.1

Text blade with lettering for all displays F and S Art.No. 773.08.002.1

Base legs for display-case
 • For free-standing display-case
 • Material: aluminum
 • Dims: 100 x 2750 x 50 mm
 • Weight: 12,50 kg Art.No. 772.13.001.1

ILLUMINATION-KIT FOR SHOW-CASE

softline

- S1 H 8-W-neon-tube
- S1 Q, S2 H+S3 H 18-W-neon-tube
- S2 Q 30-W-neon-tube
- S3 Q 36-W-neon-tube

Electronic connection of wall-mounted case on left bottom edge and of free-standing case through left foot. Connection to fix electricity only by professional.

Art.No. 779.00.001.1



ILLUMINATION-CASE INDOOR

Turn your advertising messages into the right light. A1 posters are becoming the attention they ever earned.

The clip-frame allows easy and quick exchange of your A1 posters.

- Protection of poster by transparent foil
- Material: sturdy aluminum
- Incl. illumination + cable of 2 m
- 4 x 11W / 220V
- Frame of 28 mm aluminum

Art.No. 227.00.006.1

